

RV2048

20V Brushless Precision Pistol



- Precise auto shut-off when it reaches the desired torque with LED and buzzer indicator of joint status for either good or not-good fixing
- Built-in 2-way wireless communication that can connect to a PLC unit or computer
- OLED display for instant achieved torque, angle, and batch count information
- Enhanced ergonomics, lightweight design, coupled with responsive power delivery for effortless and enduring productivity
- Exceeding Cmk (based on 6 σ) ≥ 1.67 at $\pm 10\%$
- The brushless motor ensures the use of wear-free components, which reduces maintenance costs and extends the life cycle of the product



TECHNICAL SPECIFICATIONS

Model	RV2048-WR2	RV2048-WR6	RV2048-WR12
Voltage	20V		
Drive	1/4" Hex Drive		
Torque Range	0.5 - 2 Nm	1 - 6 Nm	3 - 12 Nm
Programmable Speed	700 - 1,000 RPM		
Accuracy	Cmk (based on 6 σ) ≥ 1.67 at $\pm 10\%$		
Length (w/o battery)	21 cm		
Tool Weight (w/o battery)	1.1 kg		

NOISE/VIBRATION INFORMATION

Noise Value	Sound Pressure Level ($L_{p(A)}$)	74.0 dB(A)
	Noise Uncertainty (K Factor)	3.0 dB(A)
Vibration Value	Average Vibration Level (A_v)	0.35 m/s ²
	Uncertainty Level (K Factor)	1.5 m/s ²

TECHNOLOGIES



DC motors have traditionally been driven by carbon brushes to power the motor. Over time these wear out and need replacing. All our motors are brushless meaning that the motor is controlled electronically without the need for carbon brushes ensuring your tool is maintenance-free.



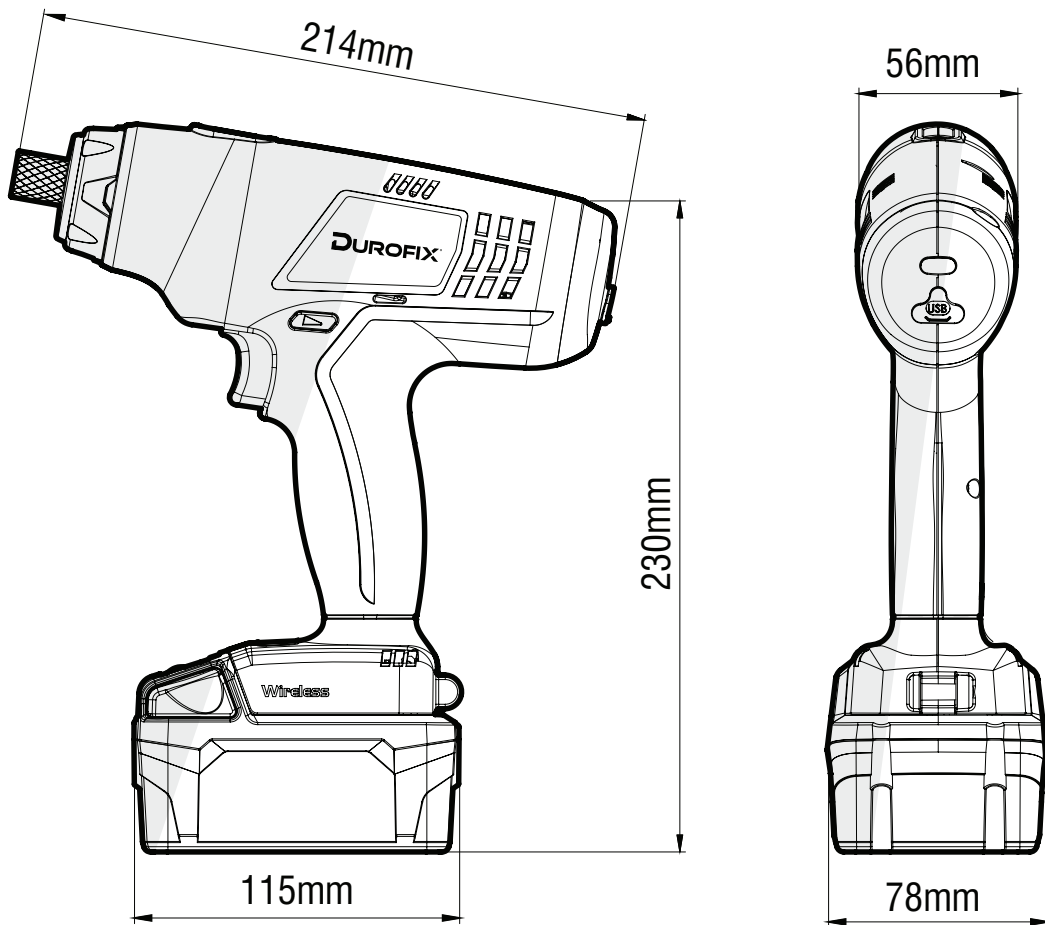
We have leveraged decades of electrical expertise from some of the world's leading electrical engineers to develop our wireless platform to record and control our professional assembly tools, that can be remotely controlled via our software or different protocols for PLC systems.

DUROFIX™



Our patent-pending All-In-One motor includes the power, control & communication board along with the automatic winding stator with an interior permanent magnet design rotor, all enclosed in a die-cast cover. These one-unit components have several advantages, including weight reduction, longer lifespan, and crucially our number one design goal of efficiency as there are no additional components to cool.

DIMENSIONAL DRAWING



TOOL FEATURES



The mechanical clutch prevents over-tightening of fasteners by disengaging the drive mechanism when a preset torque level is reached, ensuring precision and preventing damage.



Low vibration minimises the risk of injury and fatigue on the operator, making it safer to use for long periods.



Illuminate your workspace with the built-in LED light on this power tool, ensuring visibility in low-light conditions for enhanced work safety.



The auto shut-off function automatically shuts down the tool to prevent over-tightening and enhance safety during operation.



Our buzzer serves as an audible alert to notify the user of specific conditions or errors during operation, enhancing safety and efficiency.