

RI60164

60V Brushless 1/2" Jumbo Impact Wrench



- Robust metal gearbox housing for durability
- Integrated LED light for convenient illumination during work
- Outstanding performance and ergonomic design



TECHNICAL SPECIFICATIONS

Model	RI60164	RI60164-6
Voltage	60V	
Drive Size	1/2" Square	3/4" Square
Max. Tightening Torque	450 / 600 / 1,350 Nm	450 / 600 / 1,450 Nm
Max. Reverse Torque	2,050 Nm	2,175 Nm
No Load Speed	0 - 1,600 RPM	
Impacts per Minute	0 - 2,400 IPM	
Tool Weight (w/o battery)	2.94 kg	

TECHNOLOGIES

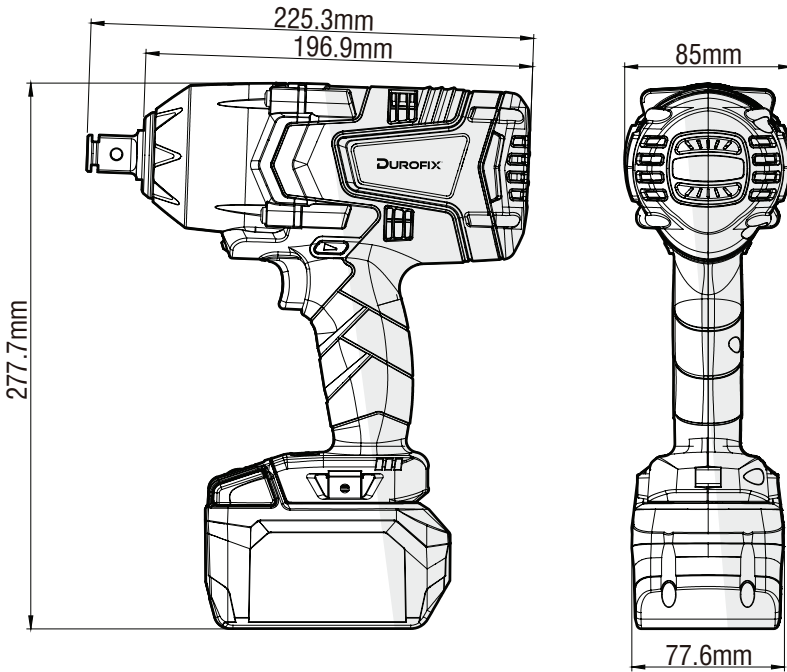


Our Patented all-in-one motor integrates multiple components into a single unit, reducing size and complexity while improving efficiency and reliability



DC motors have traditionally been driven by carbon brushes to power the motor. Over time these wear out and need replacing. All our motors are brushless meaning that the motor is controlled electronically without the need for carbon brushes ensuring your tool is maintenance-free.

DIMENSIONAL DRAWING



TOOL FEATURES



An impact wrench uses a hammer and anvil to generate torque. The hammer's rapid, powerful blows tighten or untighten, reducing the operator's torque reaction.



Illuminate your workspace with the built-in LED light on this power tool, ensuring visibility in low-light conditions for enhanced work safety.



This power tool delivers exceptional torque, tackling heavy-duty tasks with ease and reliability.