

RS1222

12V 2-Speed Mini Polisher/Sander



- 2-speed gearbox, each with 8 stage speed settings to help find your optimum RPM
- Brushless motor ensuring consistently high performance
- Lock-on power switch and two-position side handle for ease of use
- Spindle lock button for quick application pad changes
- Automatic reverse shut-off mechanism to minimise the risk of accidents
- Constant speed button to remove operators finger fatigue



TECHNICAL SPECIFICATIONS

Voltage	12V
Speed Setting	16 Stages
Pad Size	3"
Sanding Disc Size	2"
Polishing Disc Size	3" / 5"
No Load Speed	0 - 3,500 RPM / 0 - 9,500 RPM
Weight (w/o battery)	0.75 kg

TECHNOLOGIES

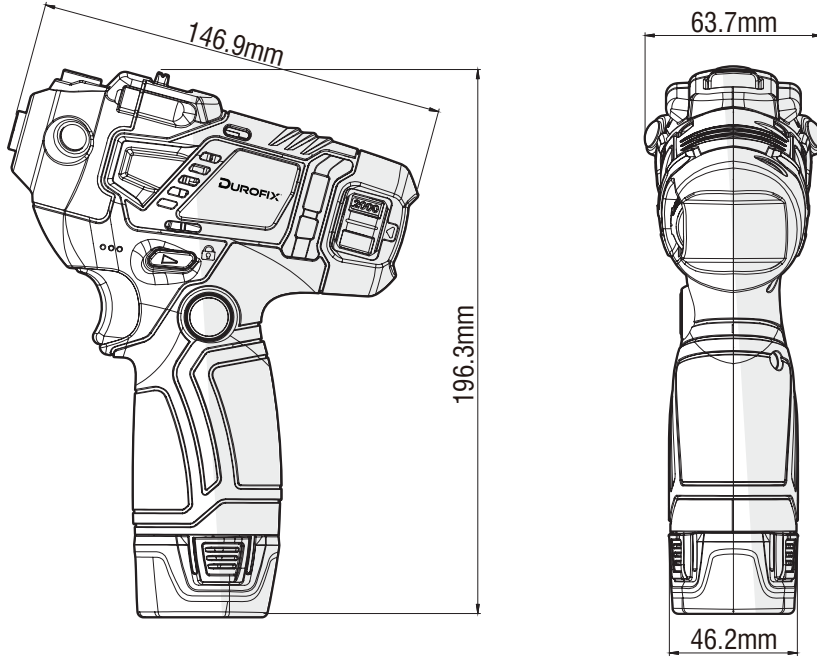


Our Patented all-in-one motor integrates multiple components into a single unit, reducing size and complexity while improving efficiency and reliability



DC motors have traditionally been driven by carbon brushes to power the motor. Over time these wear out and need replacing. All our motors are brushless meaning that the motor is controlled electronically without the need for carbon brushes ensuring your tool is maintenance-free.

DIMENSIONAL DRAWING



TOOL FEATURES



The compact design philosophy to prioritise ensures easy handling and maneuverability in tight spaces, without compromising on performance or power.



Illuminate your workspace with the built-in LED light on this power tool, ensuring visibility in low-light conditions for enhanced work safety.



Experience effortless manoeuvrability and reduced fatigue with this lightweight design, ideal for extended use on various projects.



Tailor the speed settings of this power tool to suit your needs, guaranteeing efficient performance for any task at hand.