

RG6020

60V Brushless Angle Grinder



- Extended run-time and low risk of thermal throttling due to efficient 60v platform drawing less current and heat
- Equivalent to 15A corded power performance
- Dual action trigger to eliminate accidental trigger actions
- High performance and advanced ergonomics
- Robust metal gearbox housing for durability
- Three-position side handle



TECHNICAL SPECIFICATIONS

Model	RG6020-150	RG6020-180	RG6020-230
Voltage		60V	
Disk Size	6"	7"	9"
No Load Speed	4,000 / 6,000 / 9,000 RPM	4,000 / 6,000 / 8,000 RPM	6,600 RPM
Spindle Thread		M14	
Tool Weight (w/o battery)	3.67 kg	3.77 kg	4.2 kg

TECHNOLOGIES

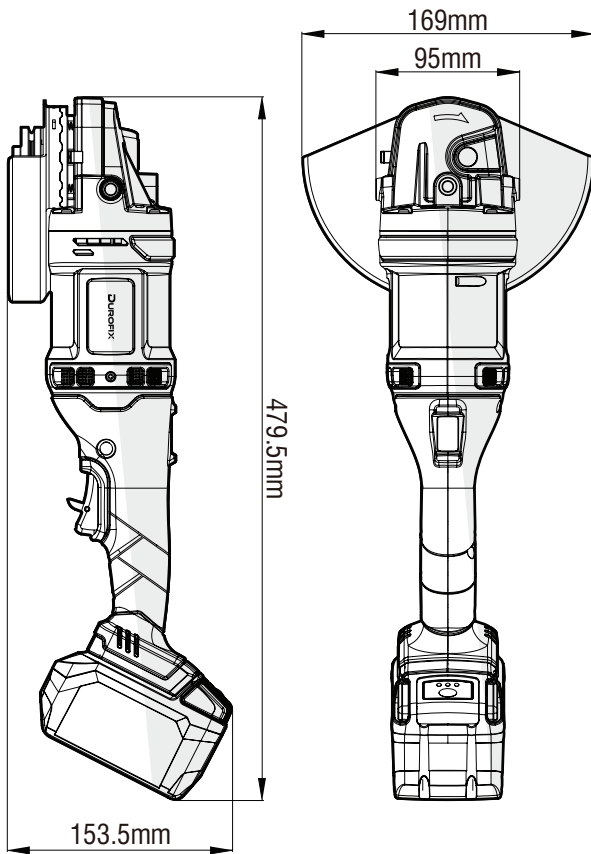


Our Patented all-in-one motor integrates multiple components into a single unit, reducing size and complexity while improving efficiency and reliability



DC motors have traditionally been driven by carbon brushes to power the motor. Over time these wear out and need replacing. All our motors are brushless meaning that the motor is controlled electronically without the need for carbon brushes ensuring your tool is maintenance-free.

DIMENSIONAL DRAWING



TOOL FEATURES



Easily adjust the guard of this power tool for enhanced safety and protection while adapting to different work environments and angles.



Experience rapid cutting speeds with this power tool's high revolutions, ensuring swift and precise cuts for smoother and more efficient work.



The IP56 rating signifies this power tool's protection against dust and water ingress, ensuring reliability and durability in challenging working conditions.