

RI60164A1-6

60V Brushless 3/4" Jumbo Impact Wrench



- 43-stage pre-set torque ranging from 80 - 500Nm
- Robust metal gearbox housing for durability
- Integrated LED light for convenient illumination during work
- Outstanding performance and ergonomic design



TECHNICAL SPECIFICATIONS

Voltage	60V
Drive Size	3/4" Square
Max. Tightening Torque	1,500 Nm
Max. Reverse Torque	2,050 Nm
No Load Speed	0 - 1,800 RPM
Impacts per Minute	0 - 2,400 IPM
Tool Weight (w/o battery)	2.94 kg

TECHNOLOGIES



Electronic Torque Control uses our advanced tightening technology to automatically shut off when the correct torque has been achieved. Different models will have alternative different stages to customize your workflow to optimize to the correct workload.

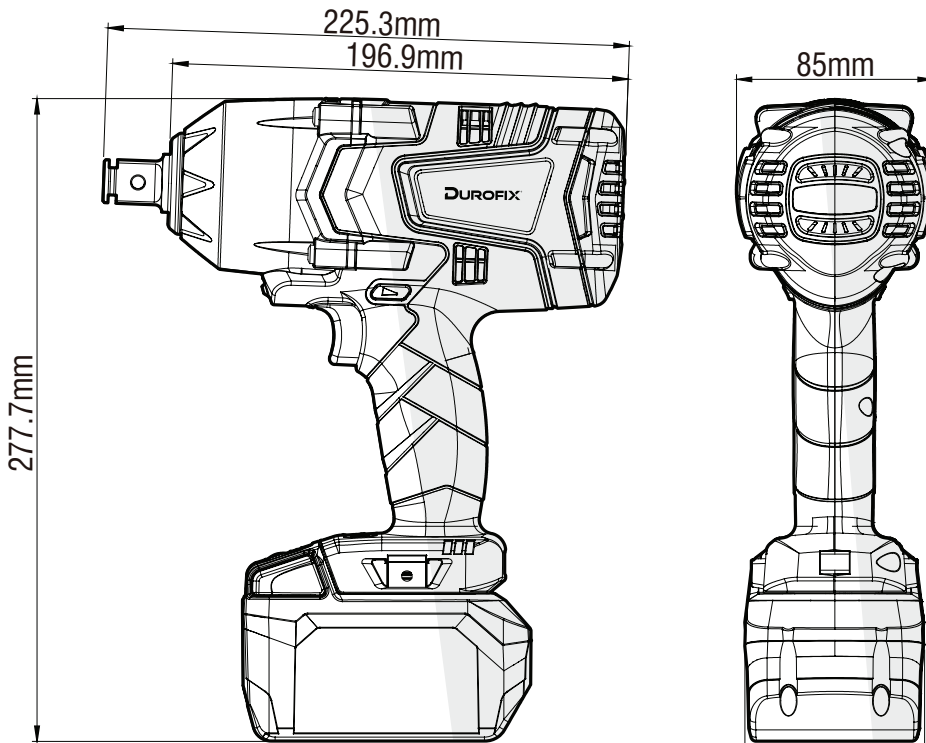


Our Patented all-in-one motor integrates multiple components into a single unit, reducing size and complexity while improving efficiency and reliability



DC motors have traditionally been driven by carbon brushes to power the motor. Over time these wear out and need replacing. All our motors are brushless meaning that the motor is controlled electronically without the need for carbon brushes ensuring your tool is maintenance-free.

DIMENSIONAL DRAWING



TOOL FEATURES



The auto shut-off function automatically shuts down the tool to prevent over-tightening and enhance safety during operation.



This power tool delivers exceptional torque, tackling heavy-duty tasks with ease and reliability.



An impact wrench uses a hammer and anvil to generate torque. The hammer's rapid, powerful blows tighten or untighten, reducing the operator's torque reaction.



Illuminate your workspace with the built-in LED light on this power tool, ensuring visibility in low-light conditions for enhanced work safety.